

## Applications & Features

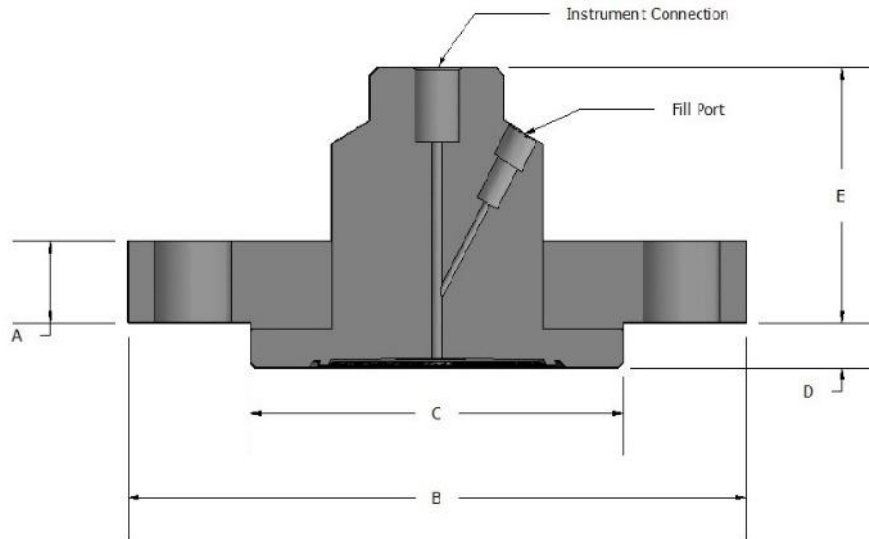
- Flanged Seal with flush diaphragm for off-line process connection
- Rotating flange design
- Standard flange sizes from ANSI 2" to 4". Additional sizes available on request
- Standard flange ratings from ANSI Class 150 to ANSI Class 2500
- Other flange standards available



## Ordering Information

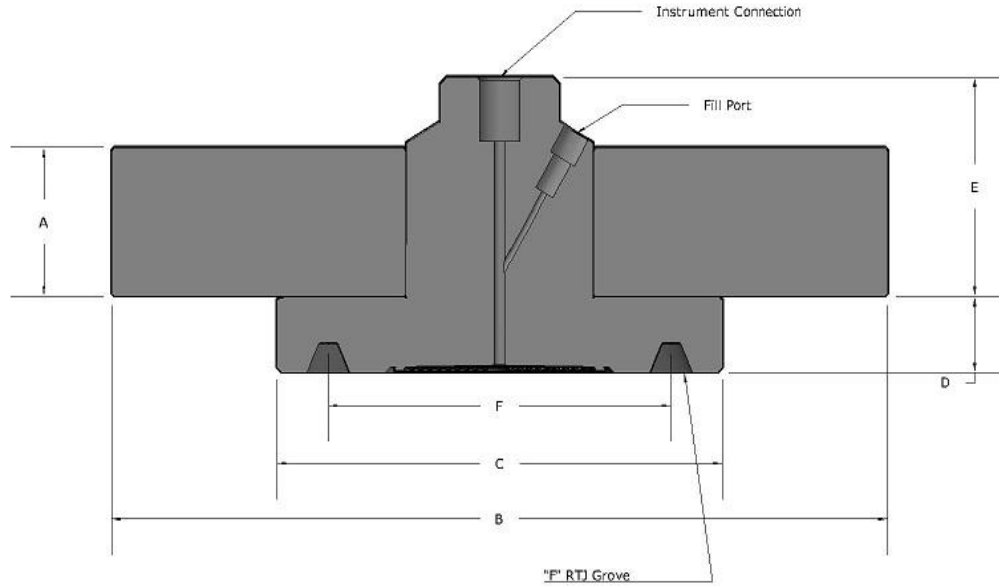
Base Model			
	HFF-	Flush Flanged Seal	
Type			
	A	ANSI Raised Face (RF)	
	R	ANSI RING Joint (RTJ)	
	D	DIN (RF) EN1092-1	
Inst. Connection			
	W	Weld Connection	(N/A with Titanium or Zirconium)
	2	1/4" NPT	
	4	1/2" NPT	
Upper Insert			
	S6	316 / 316LSS	
	TI	Titanium	(Required with Titanium diaphragm)
	Z7	Zirconium 702	(Required with Zirconium diaphragm)
Process Connection Size			
	20	2.0"	
	30	3.0"	
	40	4.0"	
	C0	DN50	
	D0	DN80	
	E0	DN100	
	F0	DN125	
Process Connection Rating			
	A	150#	
	B	300#	
	C	600#	
	D	900#	
	E	1500#	
	F	2500#	
	G	PN 10/40	DN50
	H	PN 10/16	DN80, DN100, DN125
	J	PN 25/40	DN80, DN100, DN125
<b>CONTINUED ON THE NEXT PAGE</b>			

CONTINUED FROM THE PREVIOUS PAGE		
	L	PN 63 DN50, DN80, DN100, DN125
	M	PN 100 DN50, DN80, DN100, DN125
	P	PN 160 DN50, DN80, DN100, DN125
	R	PN 250 DN50, DN80, DN100, DN125
<b>Flange Material</b>		
	S6	316 / 316LSS
	CS	Carbon Steel
<b>Diaphragm Material</b>		
	S6	316 / 316LSS
	S4	304 / 304LSS
	TA	Tantalum
	C2	Alloy 20
	HC	Alloy C-276
	HB	Alloy B-3
	M4	Monel 400
	I6	Alloy 600
	DP	Alloy 2205
	NI	Nickel 201 /200
	T1	Titanium
	Z7	Zirconium 702
<b>Calibration / Flushing Ring</b>		
	NN	None
	S6	316 / 316LSS
	S4	304 / 304LSS
	C2	Alloy 20
	HC	Alloy C-276
	HB	Alloy B-3
	M4	Monel 400
	I6	Alloy 600
	DP	Alloy 2205
	NI	Nickel 201 /200
	T1	Titanium
	Z7	Zirconium 702
<b>Flushing Connections</b>		
	N	No Flush
	1	Single 1/4" NPTF
	2	Dual 1/4"NPTF
	3	Single 1/2" NPTF
	4	Dual 1/2" NPTF
<b>Options</b>		
	/AU	Gold Plated Diaphragm
	/NS	PTFE Coated Diaphragm (Non Stick Only - Not for corrosion protection)
	/P1	With single pipe plug for flush port (Material same as lower)
	/P2	With dual pipe plugs for flush port (Material same as lower)
	/MC	Material cert with MTR's



## HFF – ANSI Raised Face Dimensions

Diaphragm Diameter	Flange	Bolt Quantity, Bolt Hole Bolt Circle Ø	"A"	"B"	"C"	"D"	"E"
2.4"	2"-150#	(4X), 0.75Ø, 4.75Øb.c.	0.68"	6.00"	3.62"	0.33"	2.23"
3.5"	3"-150#	(4X), 0.75Ø, 6.00Øb.c.	0.87"	7.50"	5.00"	0.33"	2.23"
3.5"	4"-150#	(8X), 0.75Ø, 7.50Øb.c.	0.87"	9.00"	6.19"	0.33"	2.23"
2.4"	2"-300#	(8X), 0.75Ø, 5.00Øb.c.	0.81"	6.50"	3.62"	0.33"	2.23"
3.5"	3"-300#	(8X), 0.88Ø, 6.62Øb.c.	1.06"	8.25"	5.00"	0.33"	2.23"
3.5"	4"-300#	(8X), 0.88Ø, 7.88Øb.c.	1.18"	10.00"	6.00"	0.33"	2.23"
2.4"	2"-600#	(8X), 0.75Ø, 5.00Øb.c.	1.00"	6.50"	3.62"	0.33"	2.23"
3.5"	3"-600#	(8X), 0.88Ø, 6.62Øb.c.	1.25"	8.25"	5.00"	0.33"	2.23"
3.5"	4"-600#	(8X), 1.00Ø, 8.50Øb.c.	1.50"	10.75"	6.00"	0.33"	2.23"
2.4"	2"-900/1500#	(8X), 1.00Ø, 6.50Øb.c.	1.50"	8.50"	3.62"	0.33"	2.23"
3.5"	3"-900#	(8X), 1.00Ø, 7.50Øb.c.	1.50"	9.50"	5.00"	0.33"	2.23"
3.5"	4"-900#	(8X), 1.25Ø, 9.25Øb.c.	1.75"	11.50"	6.00"	0.33"	2.66"
3.5"	3"-1500#	(8X), 1.25Ø, 8.00Øb.c.	1.88"	10.50"	5.00"	0.33"	2.66"
3.5"	4"-1500#	(8X), 1.38Ø, 9.50Øb.c.	2.12"	12.25"	6.00"	0.33"	3.31"
2.4"	2"-2500#	(8X), 1.12Ø, 6.75Øb.c.	2.00"	9.25"	3.62"	0.33"	2.66"
3.5"	3"-2500#	(8X), 1.38Ø, 9.00Øb.c.	2.62"	12.00"	5.00"	0.33"	3.31"



### HFF – ANSI RTJ Dimensions

Diaph. Diameter	Flange	Bolt Quantity, Bolt Hole $\phi$ , Bolt Circle $\phi$	"A"	"B"	"C"	"D"	"E"	"F"	RTJ Grv. #
2.4"	2"-150#	(4X), 0.75 $\phi$ , 4.75 $\phi$ b.c.	0.68"	6.00"	4.00"	.75"	2.23"	3.25"	R22
3.5"	3"-150#	(4X), 0.75 $\phi$ , 6.00 $\phi$ b.c.	0.87"	7.50"	5.25"	.75"	2.23"	4.50"	R29
3.5"	4"-150#	(8X), 0.75 $\phi$ , 7.50 $\phi$ b.c.	0.87"	9.00"	6.75"	.75"	2.23"	5.88"	R36
2.4"	2"-300#	(8X), 0.75 $\phi$ , 5.00 $\phi$ b.c.	0.81"	6.50"	4.25"	.75"	2.23"	3.25"	R23
3.5"	3"-300#	(8X), 0.88 $\phi$ , 6.62 $\phi$ b.c.	1.06"	8.25"	5.75"	.75"	2.23"	4.88"	R31
3.5"	4"-300#	(8X), 0.88 $\phi$ , 7.88 $\phi$ b.c.	1.18"	10.00"	6.88"	.75"	2.23"	5.88"	R37
2.4"	2"-600#	(8X), 0.75 $\phi$ , 5.00 $\phi$ b.c.	1.00"	6.50"	4.25"	.75"	2.23"	3.25"	R23
3.5"	3"-600#	(8X), 0.88 $\phi$ , 6.62 $\phi$ b.c.	1.25"	8.25"	5.75"	.75"	2.23"	4.88"	R31
3.5"	4"-600#	(8X), 1.00 $\phi$ , 8.50 $\phi$ b.c.	1.50"	10.75"	6.88"	.75"	2.23"	5.88"	R37
2.9"	2"-900/1500#	(8X), 1.00 $\phi$ , 6.50 $\phi$ b.c.	1.50"	8.50"	4.88"	.75"	2.23"	3.75"	R24
3.5"	3"-900#	(8X), 1.00 $\phi$ , 7.50 $\phi$ b.c.	1.50"	9.50"	6.00"	.75"	2.23"	4.88"	R31
3.5"	4"-900#	(8X), 1.25 $\phi$ , 9.25 $\phi$ b.c.	1.75"	11.50"	7.00"	.75"	2.66"	5.88"	R37
3.5"	3"-1500#	(8X), 1.25 $\phi$ , 8.00 $\phi$ b.c.	1.88"	10.50"	6.62"	.75"	2.66"	5.38"	R35
3.5"	4"-1500#	(8X), 1.38 $\phi$ , 9.50 $\phi$ b.c.	2.12"	12.25"	7.62"	.75"	3.31"	6.38"	R39
3.5"	2"-2500#	(8X), 1.12 $\phi$ , 6.75 $\phi$ b.c.	2.00"	9.25"	5.25"	.75"	2.66"	4.00"	R26
3.5"	3"-2500#	(8X), 1.38 $\phi$ , 9.00 $\phi$ b.c.	2.62"	12.00"	6.50"	.75"	3.31"	5.00"	R32