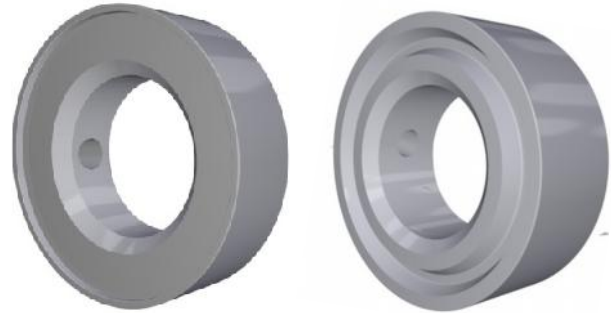


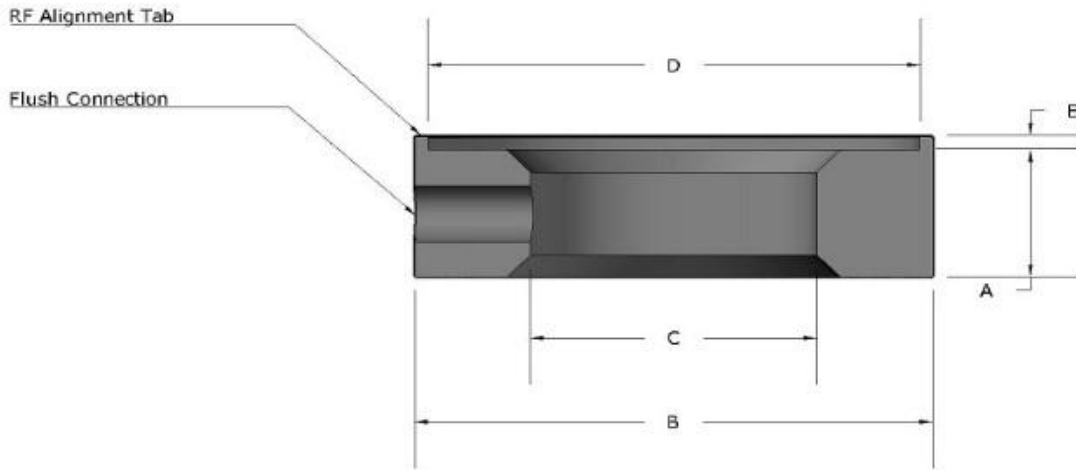
Applications & Features

- Calibration / Flushing Ring Intended for use with model HFF and HFP
- Standard flange sizes from ANSI 2" to 4". Additional sizes available on request
- Pressure ratings to ANSI class 2500.
- Other flange standards available



Ordering Information

Base Model		
	HFR-	Calibration / Flushing Ring
Process Size		
	20	2" ANSI Flange
	30	3" ANSI Flange
	40	4" ANSI Flange
	C0	DN50
	D0	DN80
	E0	DN100
	XX	Other as specified
Process Connection Type		
	A	Raised Face
	R	Ring Joint (RTJ)
Flushing Connections		
	1	Single 1/4"NPTF
	2	Dual 1/4" NPTF
	3	Single 1/2" NPTF
	4	Dual 1/2" NPTF
Body Material		
	S6	316 / 316LSS
	S4	304 / 304LSS
	C2	Alloy 20
	HC	Alloy C-276
	HB	Alloy B-3
	M4	Monel 400
	I6	Alloy 600
	DP	Alloy 2205
	NI	Nickel 201 /200
	TI	Titanium
	Z7	Zirconium 702
Options		
	/P1	With single pipe plug for flush port
	/P2	With dual pipe plugs for flush port
	/NT	Without alignment tab (RF only) (For use with Non Haygor Seals)
	/MC	Material cert w/ MTR's



Note: The alignment tab is included when used with model HFF and HFP.

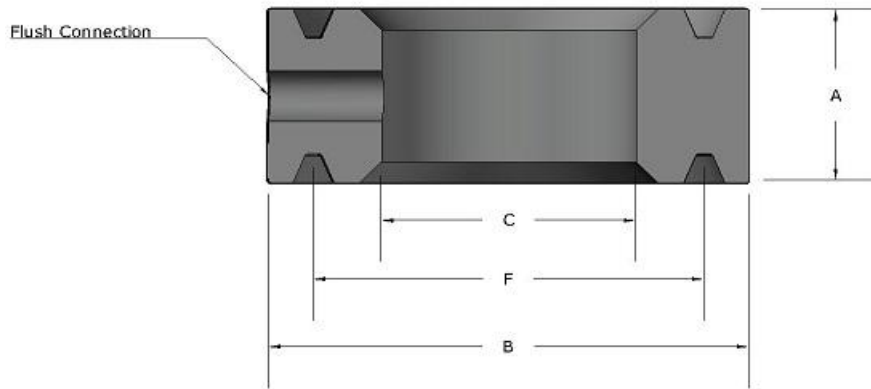
For others reduce the thickness dimension by "E" shown above

ANSI RF Flange Flush Ring Dimensions

Flange Size	"B"	"C"	"D"	"E"	"A" ¼"NPT	"A" ½"NPT
2.0"	3.84"	2.12"	3.64	.10"	1.00"	1.33"
3.0"	5.23"	3.60"	5.02	.10"	1.00"	1.33"
4.0"	6.41"	3.60"	6.21	.10"	1.00"	1.33"
Other Sizes Available on Request – Consult Factory						

DIN RF Flange Flush Ring Dimensions

Flange Size	"B"	"C"	"D"	"E"	"A" ¼"NPT	"A" ½"NPT
DN 50	4.22	2.40	4.02	.10"	1.00"	1.33"
DN 80	4.65	3.60	5.45	.10"	1.00"	1.33"
DN 100	6.44	3.60	6.24	.10"	1.00"	1.33"
Other Sizes Available on Request – Consult Factory						



ANSI RTJ Flange Flush Ring Dimensions

Flange Size	"A" ¼" NPT	"A" ½" NPT	"B"	"C"	"F"	Grv.#
2"-150#	1.50"	1.70"	4.00"	2.12"	3.25"	R22
3"-150#	1.50"	1.70"	5.25"	3.60"	4.50"	R29
4"-150#	1.50"	1.70"	6.75"	3.60"	5.88"	R36
2"-300#	1.63"	1.83"	4.25"	2.12"	3.25"	R23
3"-300#	1.63"	1.83"	5.75"	3.60"	4.88"	R31
4"-300#	1.63"	1.83"	6.88"	3.60"	5.88"	R37
2"-600#	1.63"	1.83"	4.25"	2.12"	3.25"	R23
3"-600#	1.63"	1.83"	5.75"	3.60"	4.88"	R31
4"-600#	1.63"	1.83"	6.88"	3.60"	5.88"	R37
2"-900#	1.63"	1.83"	4.88"	2.12"	3.75"	R24
3"-900#	1.63"	1.83"	6.12"	3.60"	4.88"	R31
4"-900#	1.63"	1.83"	7.12"	3.60"	5.88"	R37
2"-1500#	1.63"	1.83"	4.88"	2.12"	3.75"	R24
3"-1500#	1.63"	1.83"	6.62"	3.60"	5.38"	R35
4"-1500#	1.63"	1.83"	7.62"	3.60"	6.38"	R39
2"-2500#	1.63"	1.83"	5.25"	2.12"	4.00"	R26
3"-2500#	1.75"	1.95"	6.62"	3.60"	5.00"	R32
4"-2500#	1.88"	2.08"	7.99"	3.60"	6.18"	R38

Other Sizes Available on Request – Consult Factory