

Applications & Features

- Pulp and paper industry standard seals for on-line applications.
- Interchangeability with many other manufacturers designs
- Other connection designs may available per application. Consult factory



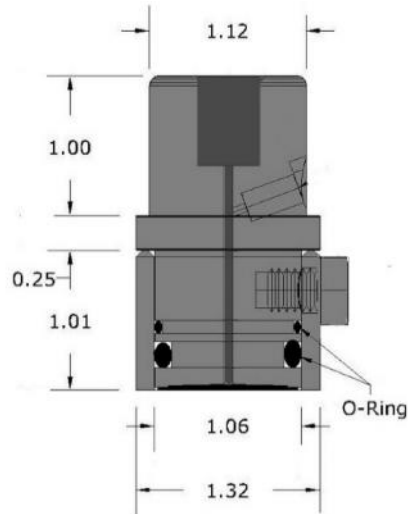
Ordering Information

Base Model			
	HPP-	Pulp and Paper Seal	
Type			
	A	1" Flush Mount Sleeve Type 1 bolt Connection	300 PSI MWP
	B	1.5" Flush Sleeve Mount 2 bolt connection	300 PSI MWP
	C	1.5" Flush Mount M44 x1.25" Threaded Connection	600 PSI MWP
Instrument Connection			
	W	Weld Connection	
	2	1/4" NPT	
	4	1/2" NPT	
Body Material			
	S6	316 / 316LSS	
	HC	Alloy C-276	
Diaphragm			
	S6	316LSS	
	HC	Alloy C-276	
Lower Weld Spud			
	NN	Without	
	S6	316 / 316LSS	
	HC	Alloy C-276	
Gasket Mat.			
	VI	Viton Type A, B	
	GL	Gylon 3510 Type C	
Options			
	/HS	Welding Heat Sink Provided 316LSS	
	/NS	PTFE Coated Diaphragm (Non-Stick Only - Not for corrosion protection)	
	/MC	Material cert with MTR's	

HPP Pulp & Paper Seal Dimensions

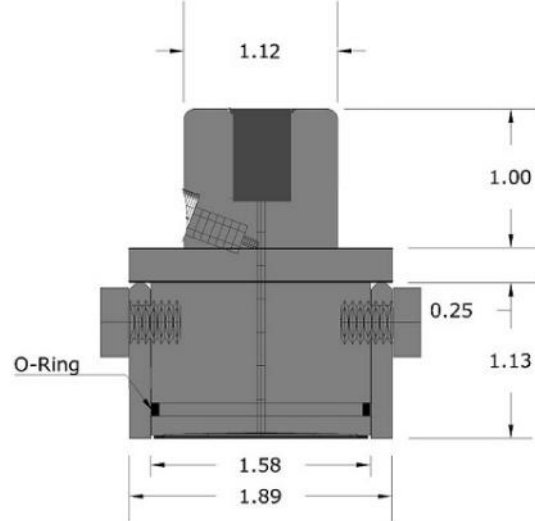
HPP-A

1.0" Flush Sleeve Connection



HPP-B

1.5" Flush Sleeve Connection



HPP-C

1.5" Flush M44 x1.55"
Threaded Connection

