

Applications & Features

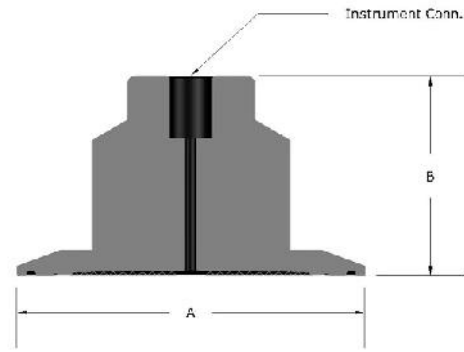
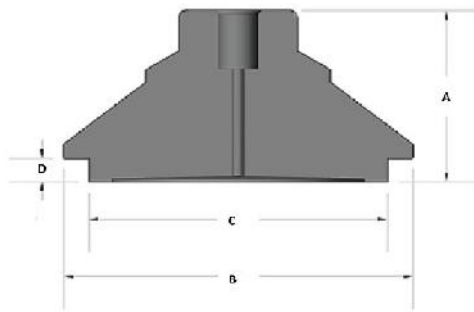
- Sanitary food, beverage and pharmaceutical seals
- Tri-Clamp®, and Cherry Burrell I-line ® sanitary piping systems connections
- Industry standard tank spud connections
- Other connection types available on request. Consult factory



Ordering Information

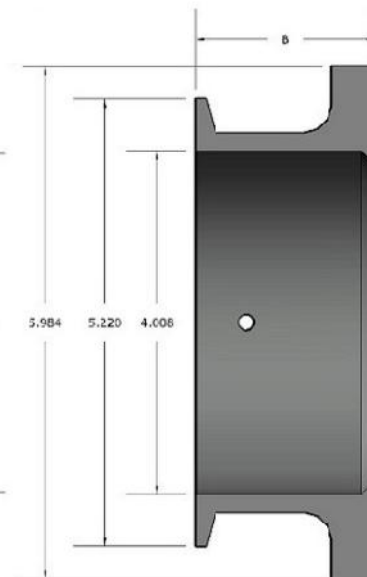
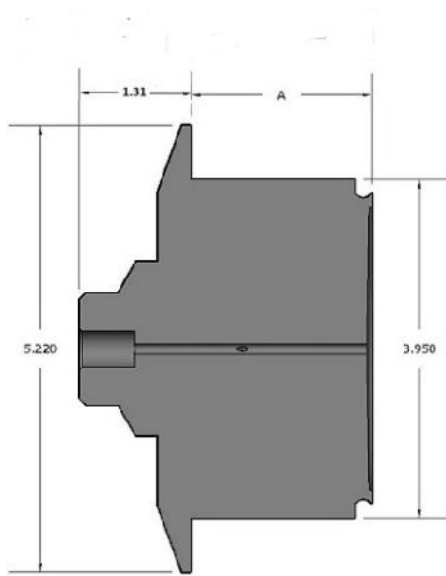
Base Model		
	HSA-	Sanitary Seal
Type		
	A	Tri-Clamp
	B	Cherry Burrell "I" Line
	C	Tank Spud
Size		
	15	1.5" Type A,B
	20	2.0" Type A,B
	25	2.5" Type A,B
	30	3.0" Type A,B
	40	4.0" Type A,B
	60	Industry Standard Tank Spud Type C
Extension Length		
	N	Not Applicable Types A, B
	2	2 Inch Type C
	6	6 Inch Type C
Instrument Connection		
	W	Weld Connection
	2	1/4" NPT
	4	1/2" NPT
Body Material		
	S6	316 / 316LSS
	HC	Alloy C-276
Diaphragm		
	S6	316LSS
	HC	Alloy C-276
Lower Weld Spud		
	NN	Without or Not Required for Type A,B
	S6	316 / 316LSS
	HC	Alloy C-276
Gasket Mat.		
	NN	Not Provided Type A,B
	EP	Ethylene Propylene Type C Only
Options		
	/C	SS Clamp Type C Only
	/E	Electro-polished
	/MC	Material cert with MTR's

HAS Sanitary Seal Dimensions



HAS-B CB I-Line				
Size	"A"	"B"	"C"	"D"
1.5"	1.90"	2.00"	1.74"	.20"
2.0"	1.90"	2.64"	2.24"	.26"
3.0"	1.90"	3.88"	3.31"	.31"
4.0"	1.90"	4.88"	4.30"	.31"

HAS-A Tri-Clamp		
Size	"A"	"B"
1.5"	1.98"	2.05"
2.0"	2.51"	2.05"
3.0"	3.57"	2.05"
4.0"	4.68"	2.05"



Tank Spud Seal

Tank Spud

HAS-C Tank Spud		
Size (Length)	"A"	"B"
2"	2.10	2.10
6"	6.10	6.10