

Applications & Features

- Welded saddle flange seal for on-line pipe applications
- Standard sizes for 3" pipe and 4" and larger pipe.
- Standard pressure rating to 1500 PSI
- Custom configurations available per application. Consult factory
- Replacement uppers available for other manufacturer's saddles. Consult factory

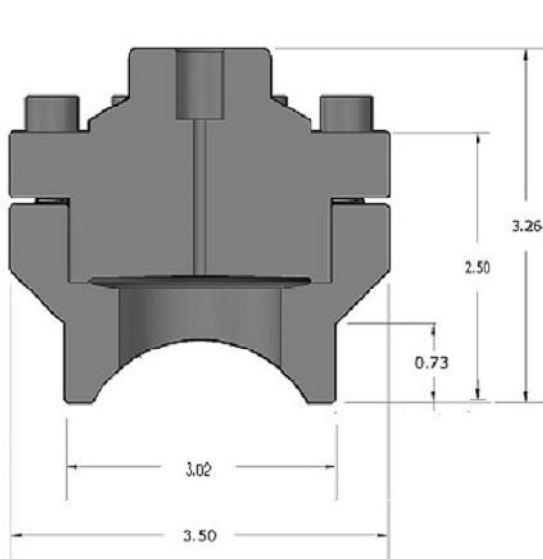


Ordering Information

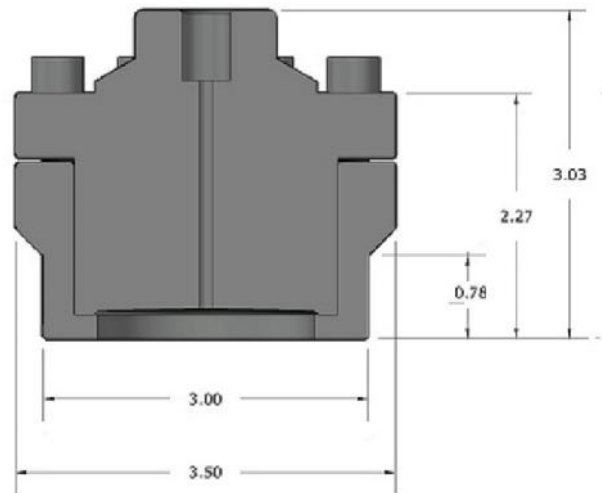
Base Model		
	HSD-	Saddle Seal
Inst. Connection		
	W	Weld Connection (Not available with Titanium or Zirconium)
	2	1/4" NPT
	4	1/2" NPT
Upper Material		
	S6	316 / 316LSS
	TI	Titanium (Required with Titanium diaphragm)
	Z7	Zirconium 702 (Required with Zirconium diaphragm)
Process Connection Size		
	3	For 3 Inch Pipe (8 bolt 1500 PSI Max) Standard
	4	For 4 Inch and larger pipe (8 bolt 1500 PSI Max) Standard
	5	For 3 Inch Pipe (6 bolt option) (1000 PSI Max)
	6	For 4 Inch and larger pipe (6 bolt option) (1000 PSI Max)
	X	Other Manufacturer replacement upper as specified
Lower Material		
	NN	Not Provided
	S6	316 / 316LSS
	S4	304 / 304LSS
	C2	Alloy 20
	HC	Alloy C-276
	H2	Alloy B-2
	M4	Monel 400
	I6	Alloy 600
	DP	Alloy 2205
	NI	Nickel 200
	TI	Titanium
	Z7	Zirconium 702
Diaphragm Material		
	S6	316 / 316LSS
	S4	304 / 304LSS
	TA	Tantalum
	C2	Alloy 20
		CONTINUED ONNEXT PAGE

CONTINUED FROM PREVIOUS PAGE			
	HC	Alloy C-276	
	H2	Alloy B-2	
	M4	Monel 400	
	I6	Alloy 600	
	DP	Alloy 2205	
	NI	Nickel 201 /200	
	TI	Titanium (Titanium upper required)	
	Z7	Zirconium 702 (Zirconium upper required)	
Gasket Mat.			
	K4	Klinger C4401 (Standard)	450 F Max
	GF	Grafoil	700 F Max
	GL	Gylon 3510	300F Max
	TF	PTFE (o-ring)	350 F Max
	VI	Viton (o-ring)	400 F max
	BN	Buna-N (o-ring)	250 F Max
	KZ	Kalrez (o-ring)	500 F Max
Bolting			
	NN	Not supplied Standard for other manufacturer replacement upper	
	CS	Grade 8 Zinc Plated	
	S4	304SS	
	S6	316SS	
Options			
	/AU	Gold Plated Diaphragm	
	/NS	PTFE Coated Diaphragm (Non-Stick Only - Not for corrosion protection)	
	/MC	Material cert with MTR's	

HSD Saddle Seal Dimensions



HSD for 3" pipe



HSD for 4" and larger pipe