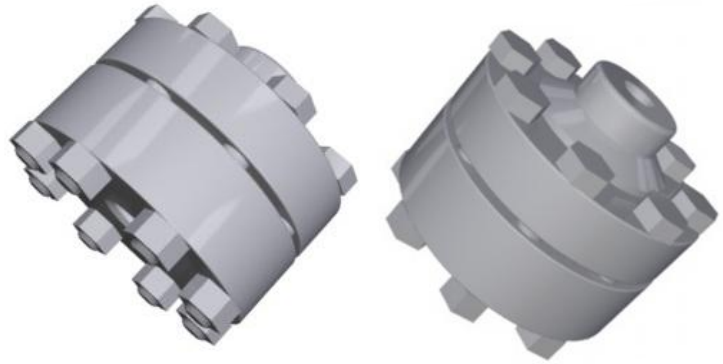


Applications & Features

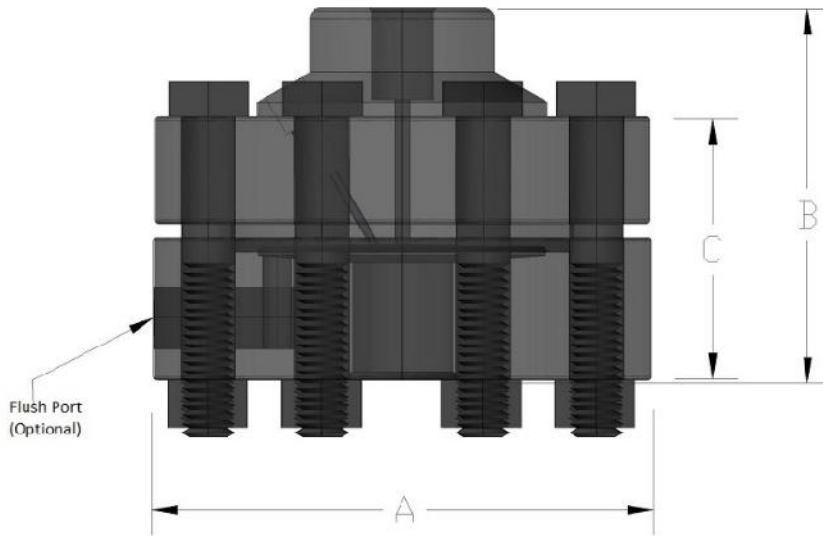
- Standard threaded Seal for off-line process connections.
- 3 Sizes to fit various applications
- Standard Pressure ratings to 1500 PSI and 2500 PSI,
- Higher pressure ratings available
- Male or female NPT process connection



Ordering Information

Base Model			
	HTH-	Threaded Seal	
Size			
	2	2.4" Diaphragm	2500 PSI (Standard)
0	3	2.9" Diaphragm	2500 PSI (Standard)
	4	4.1" Diaphragm	1500 PSI (Standard)
	5	2.4" Diaphragm	5000 PSI
	6	2.9" Diaphragm	5000 PSI
	7	4.1" Diaphragm	4000 PSI
Inst. Connection			
	W	Weld Connection	
	2	1/4" NPT	
	4	1/2" NPT	
Upper Material			
	S6	316/316L	
	TI	Titanium	(Required with Titanium diaphragm)
	Z7	Zirconium 702	(Required with Zirconium diaphragm)
Process Connection Size			
	2	1/4" NPT	
	4	1/2" NPT	
	5	3/4" NPT	
	6	1.0" NPT	
	7	1-1/4" NPT	
	8	1-1/2" NPT	
Process Connection Type			
	F	Female	
	M	Male	
Lower Material			
	S6	316 / 316LSS	
	S4	304 / 304LSS	
	CS	Carbon Steel Nickel Plated	
	C2	Alloy 20	
	HC	Alloy C-276	
	HB	Alloy B-3	
		CONTINUED ON NEXT PAGE	

		CONTINUED FROM PREVIOUS PAGE	
	M4	Alloy 400	
	DP	Alloy 2205	
	NI	Nickel 200	
	TI	Titanium	
	Z7	Zirconium 702	
Flushing Connection			
	N	None	
	A	Single 1/4" NPTF	
	B	Dual 1/4" NPTF	
	C	Single 1/2" NPTF	Size 3 & 4 Only
	D	Dual 1/2" NPTF	Size 3 & 4 Only
Diaphragm Material			
	S6	316 / 316LSS	
	S4	304 / 304LSS	
	TA	Tantalum	
	C2	Alloy 20	
	HC	Alloy C-276	
	H2	Alloy B3	
	M4	Monel 400	
	I6	Alloy 600	
	DP	Alloy 2205	
	NI	Nickel 201	
	TI	Titanium	
	Z7	Zirconium 702	
Gasket Material			
	K4	Klinger C4401 (Standard)	450 F Max
	GF	Grafoil	700 F Max
	GL	Gylon 3510	300F Max
	TF	PTFE (o-ring)	350 F Max
	VI	Viton (o-ring)	400 F max
	BN	Buna-N (o-ring)	250 F Max
	KZ	Kalrez (o-ring)	500 F Max
Bolting			
	CS	Grade 8 Zinc Plated	(Standard)
	S4	304SS	Reduces Pressure rating 50%
	S6	316SS	Reduces Pressure rating 50%
Options			
	/AU	Gold Plated Diaphragm	
	/NS	PTFE Coated Diaphragm	(Non-Stick Only - Not for corrosion protection)
	/P1	With single pipe plug for flush port	(Material same as lower)
	/P2	With dual pipe plugs for flush port	(Material same as lower)
	/MC	Material cert with MTR's	



HTH Threaded Off-Line Seal Dimensions

Diaphragm Size	MWP	Flush Port Size	Bolts	Bolt Size	"A"	"B"	"C"
2.4"	2,500 psi	1/4 NPT or NO FLUSH	8	5/16-24nf	3.48"	2.68"	1.85"
	5,000 PSI	1/4 NPT or NO FLUSH	8	7/16-20nf	4.00"	3.06"	2.30"
		1/2 NPT	8	7/16-20nf	4.00"	3.39"	2.63"
	10,000 PSI	1/4 NPT or NO FLUSH	8	1/2-20nf	4.00"	3.46"	2.70"
1/2 NPT		8	1/2-20nf	4.00"	3.79"	3.03"	
2.9"	2,500 psi	1/4 NPT or NO FLUSH	8	3/8-24nf	4.00"	2.61"	1.85"
		1/2 NPT	8	3/8-24nf	4.00"	2.94"	2.18"
	5,000 PSI	1/4 NPT or NO FLUSH	8	1/2-20nf	4.48"	3.06"	2.30"
		1/2 NPT	8	1/2-20nf	4.48"	3.37"	2.63"
4.1"	1,500 PSI	1/4 NPT or NO FLUSH	8	3/8-24nf	5.40"	2.52"	1.76"
		1/2 NPT	8	3/8-24nf	5.40"	2.85"	2.09"
	4,000 PSI	1/4 NPT or NO FLUSH	8	5/8-18nf	5.90"	3.16"	2.40"
		1/2 NPT	8	5/8-18nf	5.90"	3.49"	2.73"